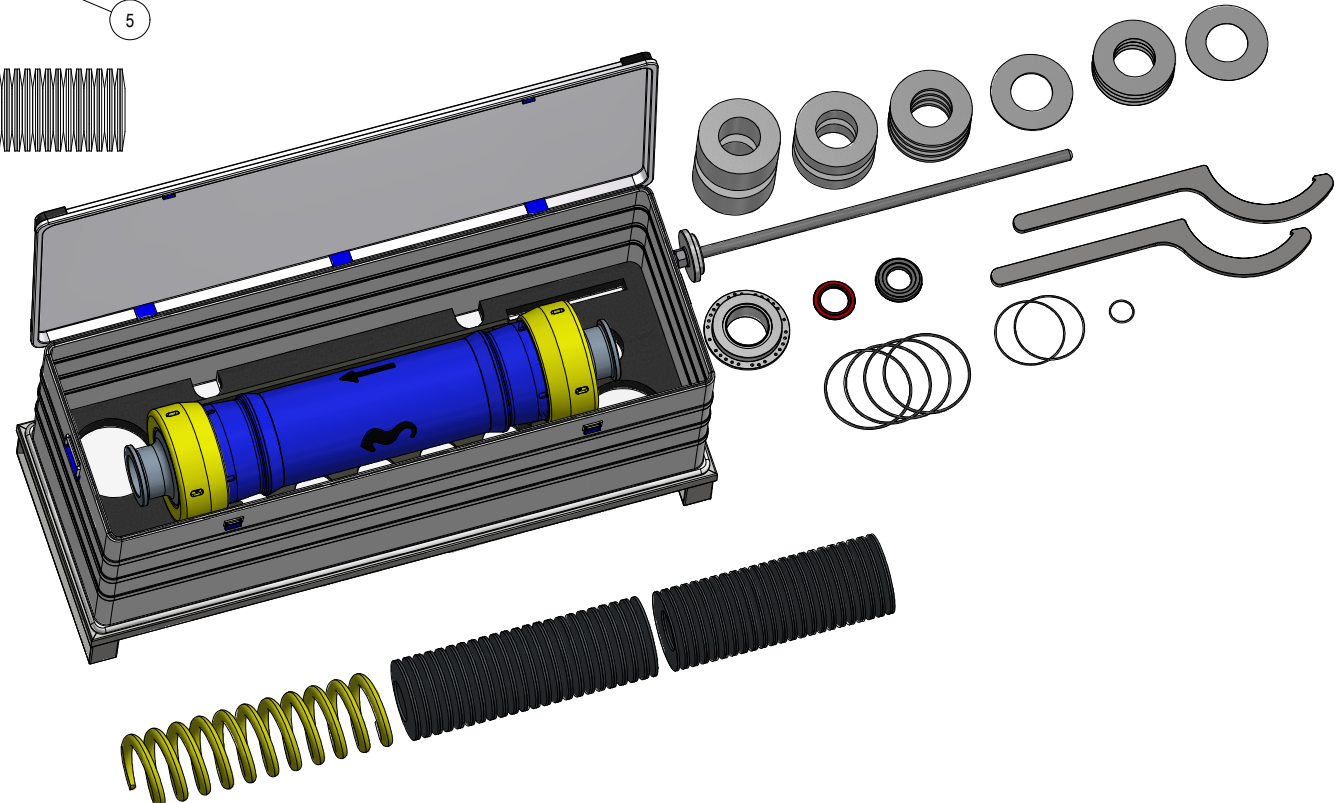
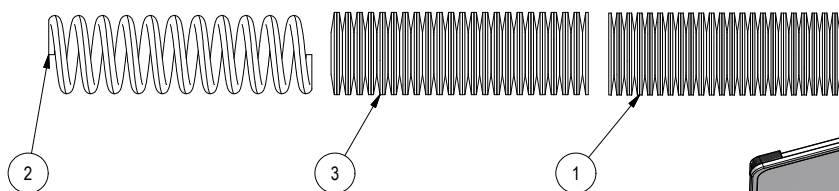
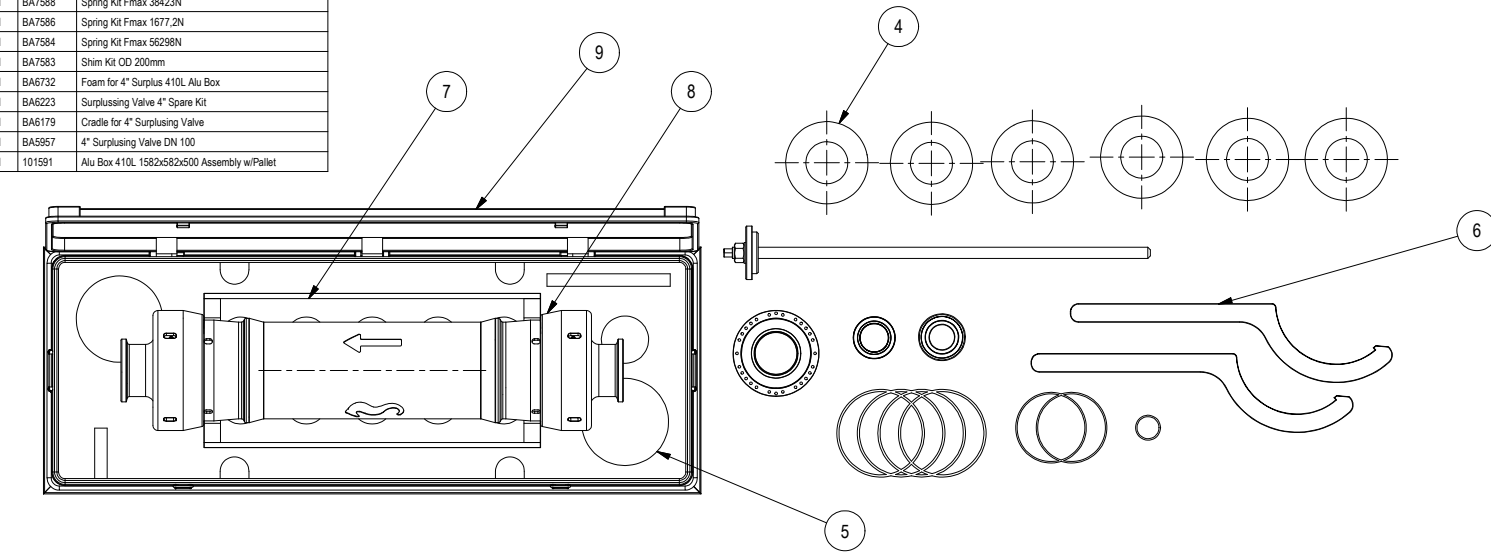


Parts List			
ITEM	QTY	PART No.	DESCRIPTION
1	1	BA7588	Spring Kit Fmax 38423N
2	1	BA7586	Spring Kit Fmax 1677.2N
3	1	BA7584	Spring Kit Fmax 56298N
4	1	BA7583	Shim Kit OD 200mm
5	1	BA6732	Foam for 4" Surplus 410L Alu Box
6	1	BA6223	Surplussing Valve 4" Spare Kit
7	1	BA6179	Cradle for 4" Surplussing Valve
8	1	BA5957	4" Surplussing Valve DN 100
9	1	101591	Alu Box 410L 1582x582x500 Assembly w/Pallet

NOTE: 1  
DESIGN CODE:  
N/A

NOTE: 2  
TECHNICAL CLASSIFICATION:  
Article Type: 007-Valves  
Main Group: 7.01. One Way Valves  
Intermediate Group: 7.39.10. 4"  
Sub Group: 7.39.211.03. 10+ Bar

NOTE: 3  
INTERFACE INFORMATION:  
Pressure Rating Bar: N/A  
Material: N/A  
Weight: 388.9 kg  
Volume: 120,02 dm<sup>3</sup>  
Surface Area: 233077 cm<sup>2</sup>  
Hydraulic: N/A  
Mechanical: N/A  
Electrical: N/A  
Com. & Protocol: N/A



04	7.12.2023	7-IFC (Issued for Construction)		HNJ	TAN	HNJ
03	26.11.2015	9-IFU (Issued for Use)		WTJ	HNJ	WTJ
02	7.5.2015	9-IFU (Issued for Use)		WTJ	BNE	WTJ
01	17.12.2014	2-IFT (Issued for Tender)		WTJ	TBA	WTJ
Rev.	Date	Reason for issue	Revision change	Made	Chk'd	Appr.



Dwg Scale:	NTS
Dwg Prop:	
Dwg Format:	A3

Drawing title:	Surplussing Valve 4" Offshore Kit
Drawing number:	BA6100
Rev.	04